

Gearmotors

We've combined Reuland motor (and brakemotor) technology with our reducers to offer you the Reuland gearmotor.

Numerous reducer configurations are available.

Right angle single worm. It's available with flange or foot mounts, each with solid (single or double) or hollowshaft. Torque arm mounts are available with the hollowshaft.

Ratings: $\frac{1}{4}$ –30hp

Ratio: 5.1–60:1

Output torque: up to 10,000 in. lbs.

Combination helical/right angle worm. It's available with flange or foot mounts, each with solid (single or double) or hollowshaft. Torque arm mounts are available with the hollowshaft.

Ratings: $\frac{1}{3}$ –10hp

Ratio: 7.2:1–372:1

Output torque: up to 18,000 in. lbs.

Helical bevel. It's available with flange or foot mounts, each offered with solid (single or double) or hollowshaft.

Ratings: $\frac{3}{8}$ –150hp

Ratio: 10:1–160:1

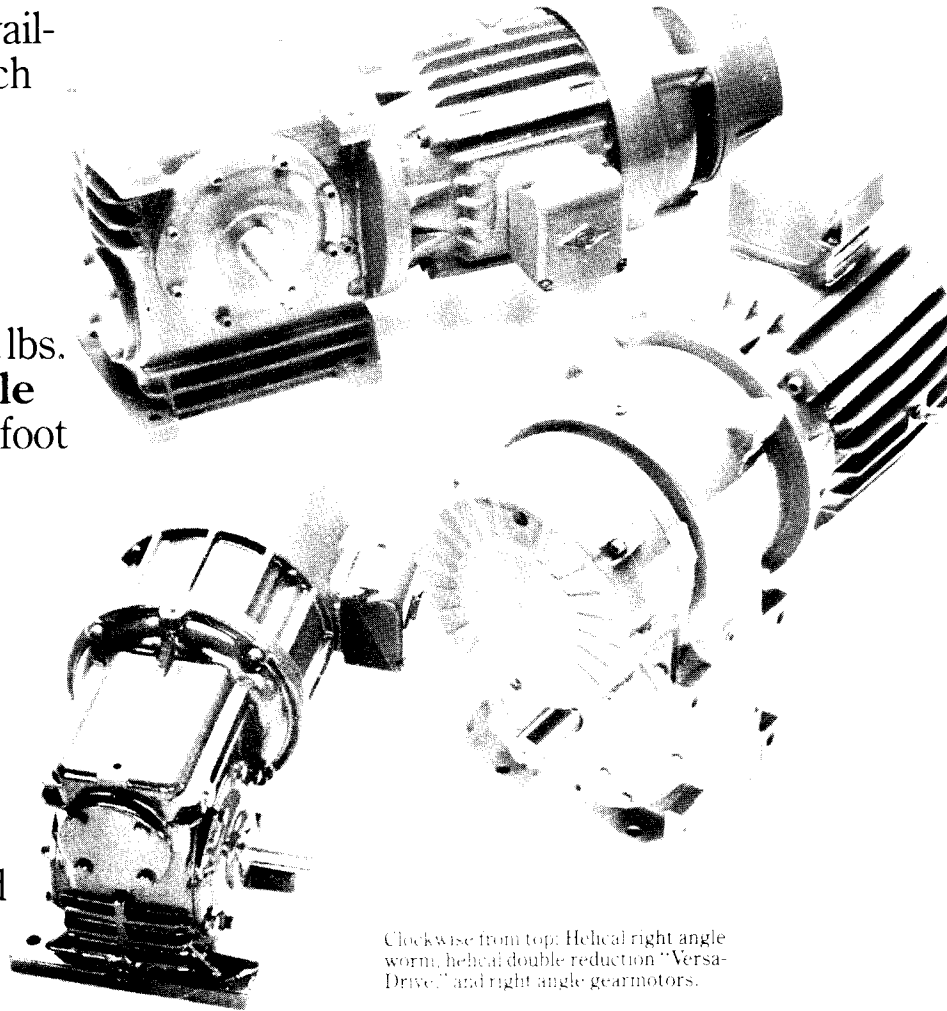
Output torque: up to 350,000 in. lbs.

Helical parallel and concentric shaft. These Reuland gearmotors are available with single, double and triple reduction gears, and foot or flange mount, and single solid shaft.

Ratings: $\frac{1}{2}$ –150hp

Ratio: 1.5:1–1800:1

Output torque: up to 130,000 in. lbs.



Clockwise from top: Helical right angle worm, helical double reduction "Versa-Drive," and right angle gearmotors.

Helical parallel shaft "Versa-Drive"

It's available in solid (single and double) hollowshaft with torque arm mount.

Three integral sets of mounting feet allow versatility in mounting, without adaptations.

Ratings: $\frac{1}{2}$ –10hp

Ratio: 4:1–190:1

Output torque: up to 9,075 in. lbs.

Standard modifications

Available on all Reuland motors.

Auxiliary cooling.
Balance, special.
Brake, motor mounted.
Bearing: special,
oversized.
Breathers and drains.
Cadmium plating.
Chemical casting treatments.
Conduit box, oversize.
Export packaging.
End bells: "C" face.
"D" flange.
"P" base.
"DIN" flange (metric).
Helicoil inserts.
High altitude.
Insulation Class, Super B, F, Super F, H
and Super H.
Marine duty (IEEE-45, USCG, ABS).
Metric flanges (DIN).
Paint, special.

Part winding starting.
Rotors, fabricated bar.
Rotors, ventilated.
Safety wire.
Screened openings.
Shafts: Spline.
Stainless steel.
Squared.
Tapered.
Double extended.
Step reduction.
Various bore sizes.
Shaft seals.
Space heaters.
Speed switches (anti-plugging).
Star delta starting.
Special ambient.
Tachometers.
Taconite protection.
Tests, special.
Tropical protection.
Zinc chromate primer.

REULAND ELECTRIC
 THE POWER DRIVE PEOPLE

17969 E. Railroad Street, P.O. Box 1464, Industry, California, 91749.
(818) 964-6411, TWX 910-584-1308.